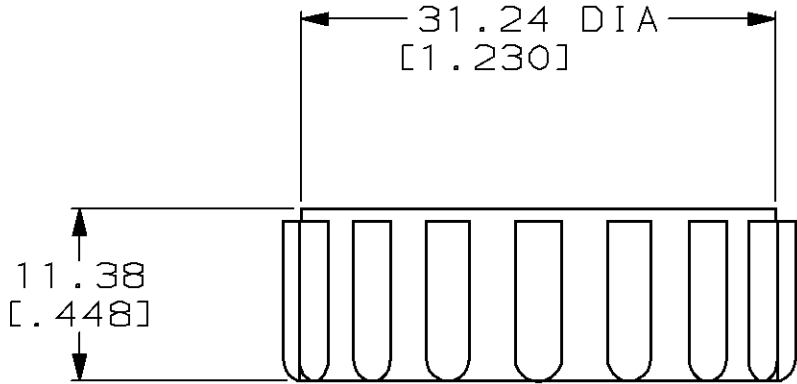
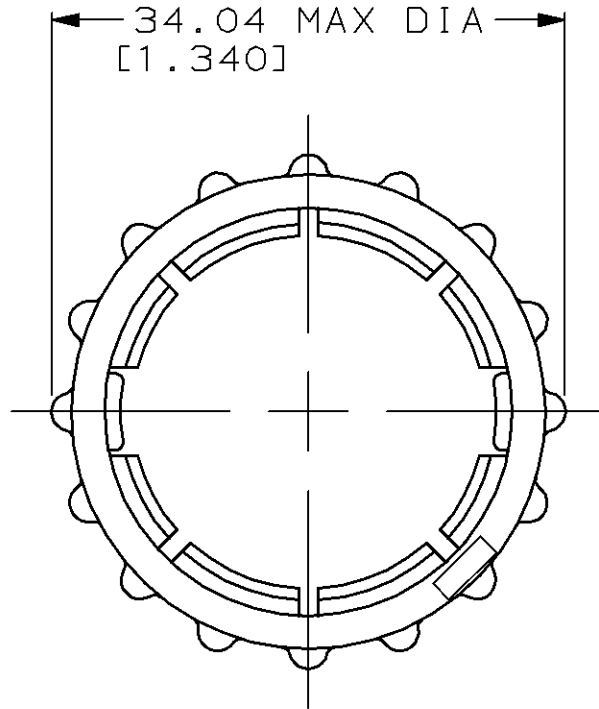


LOC	DIST	REVISIONS					
FT	4	P	LTR	DESCRIPTION	DATE	DWN	APVD
			0	REV PER EC 0320-368-97	06/20/95	-	-
			A	REV PER EC 0320-244-97	06 OCT 97	BC	KD
			B	REV PER EC 0320-368-97	31 OCT 97	CO	KD



213810-1
PART NUMBER

THIS DRAWING IS UNPUBLISHED. BY AMP INCORPORATED. ALL RIGHTS RESERVED. COPYRIGHT 19

DIMENSIONS: mm [INCHES]	DWN	D.HARDY	06/20/95	MATERIAL	POLYESTER, BLACK	FINISH	-
	CHK	R.STONE	06/21/95	AMP Incorporated Harrisburg, PA 17105-3608			
TOLERANCES UNLESS OTHERWISE SPECIFIED:	APVD	R.BYERS	06/21/95				
0 PLC ±-	PRODUCT SPEC	NAME COUPLING RING, SIZE 17, CPC					
1 PLC ±-	APPLICATION SPEC						
2 PLC ±0.25 [.010]	WEIGHT	-					
3 PLC ±-	CUSTOMER DRAWING	SIZE	A4	CAGE CODE	00779	DRAWING NO	C=213810
4 PLC ±-		SCALE	2:1	SHEET	1 OF 1	REV	B
ANGLES ±-							

